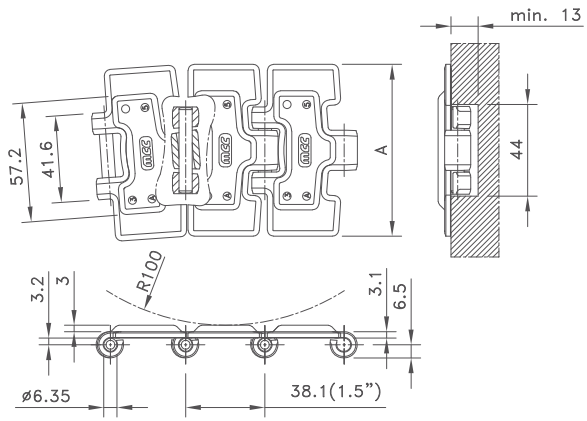


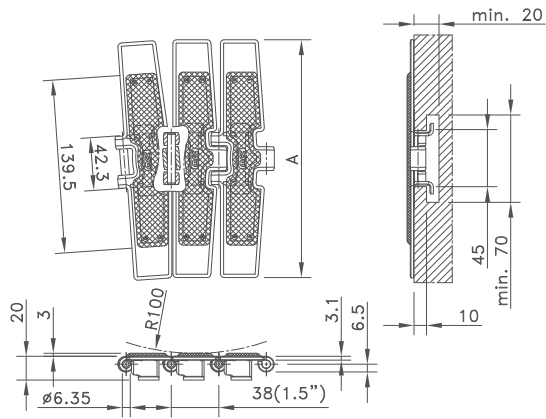
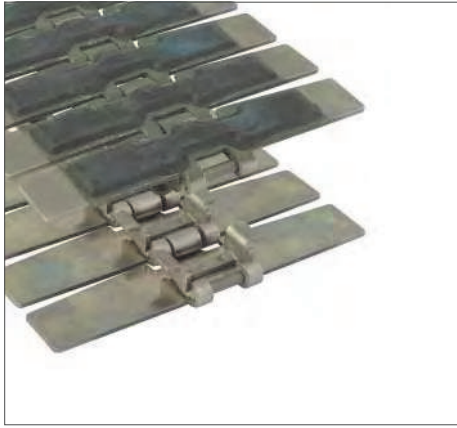
Magnetflex® Single Hinge Max-Line RubberTop®



Chain Type	Code Number	Plate Width A		Weight kg/m	Polished Hinge Eyes	Working Load (max.) N
		mm	inch			
66-Series						
66 M 31 RM	767.06.31	82.5	3.25	2.54	yes	6000
66 M 72 RM	767.06.72	190.5	7.50	4.70	yes	

Standard length: 3.048 m - 10 feet (80 links)
Sideflex radius min. 500 mm.

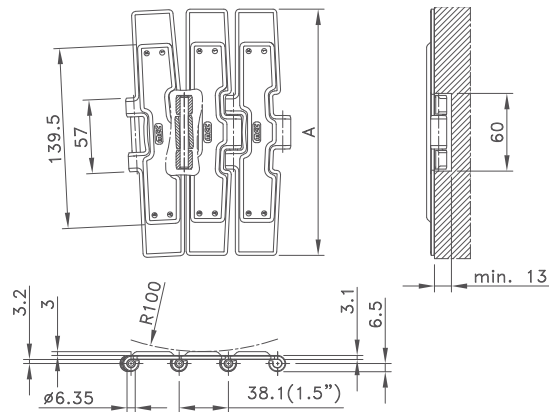
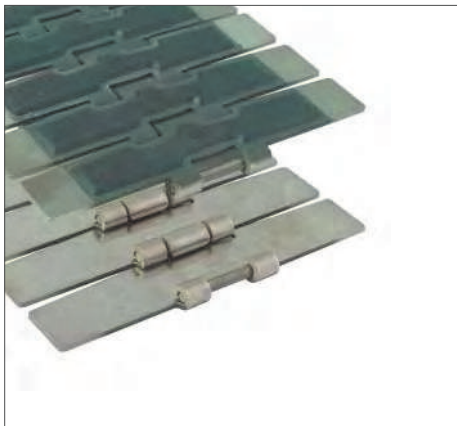
Side-flexing Single Hinge Tab Max-Line RubberTop®



Chain Type	Code Number	Plate Width A		Weight kg/m	Polished Hinge Eyes	Working Load (max.) N
		mm	inch			
66-Series						
66 T 72 RM	765.16.72	190.5	7.50	5.30	no	6000
Opti-Plus						
SSC 8811 TAB-K325 RT	10.117.21.11	82.5	3.25	3.30	no	6000

Standard length: 3.048 m - 10 feet (80 links)
Sideflex radius min. 500 mm.

Magnetflex® Heavy Duty Max-Line RubberTop®



Chain Type	Code Number	Plate Width A		Weight kg/m	Polished Hinge Eyes	Working Load (max.) N
		mm	inch			
66-Series						
66 M 75 RM	767.04.75	190.5	7.50	5.14	yes	7000

Standard length: 3.048 m - 10 feet (80 links)
Sideflex radius min. 860 mm.